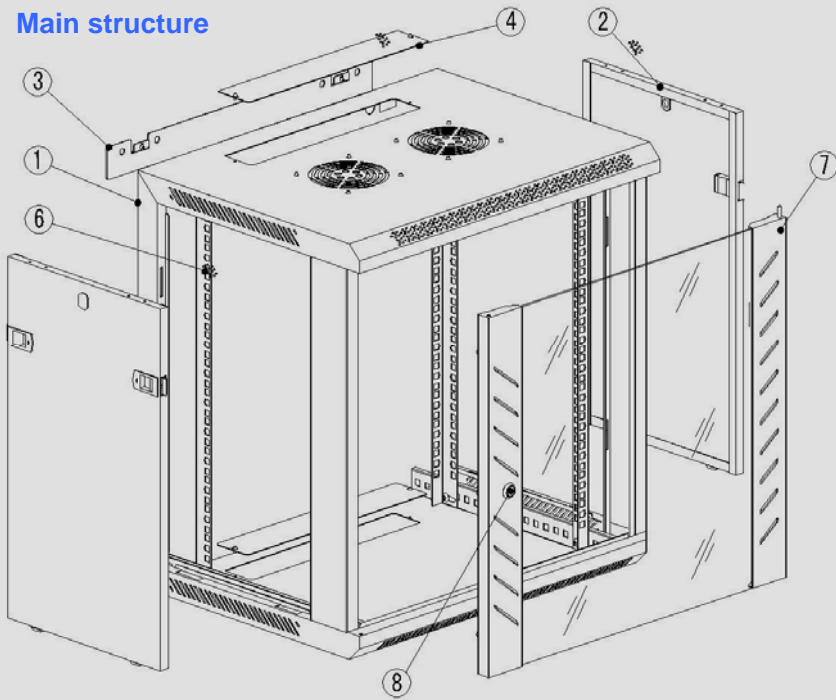


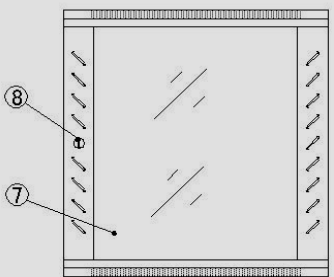
WK Wall-mounted Cabinets

Main structure

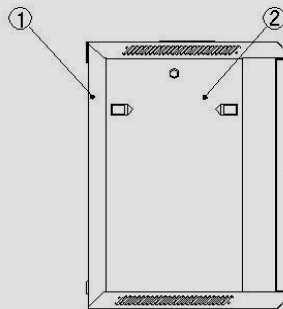


1. Frame
2. Side panel
3. Mounting panel
4. Cable entry cover
5. Fan cover
6. Mounting profile
7. Front door
8. Lock

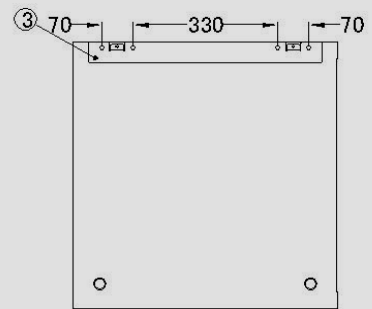
Main dimension



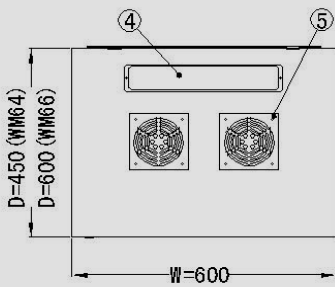
Front (toughened glass door)



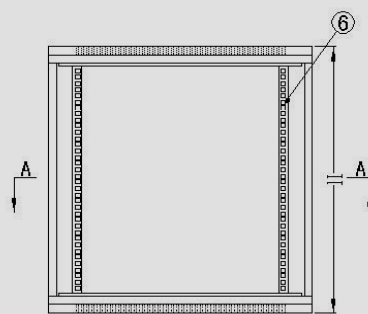
Side



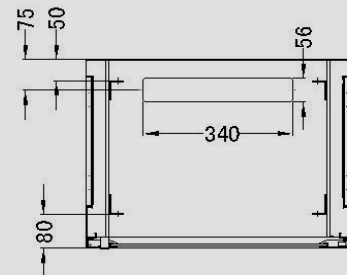
Back (wall-mounted hole size)



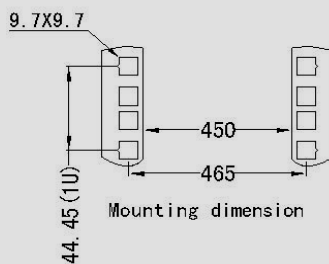
Top



Front (without front door)



A-A Section



Mounting dimension